

# REAGENTS FOR THE OIL AND GAS INDUSTRY

Formulated and produced by Ecoil Technologies Lab.



# ABOUT US

THE ECOIL TECHNOLOGIES COMPANY WAS ESTABLISHED IN 2016 AND LOCATED IN DUBAI SCIENCE PARK, UAE



A fast growing independent research company focused on the development of oilfield chemicals and bioorganic products with outstanding quality and potential.

The Ecoil Technologies is a multidisciplinary research company with a broad spectrum of research lines, services and products.

The company was established by a group of qualified professionals having extensive knowledge and experience in research and development in oil and gas industry, agriculture and ecology in close cooperation with academic experts.

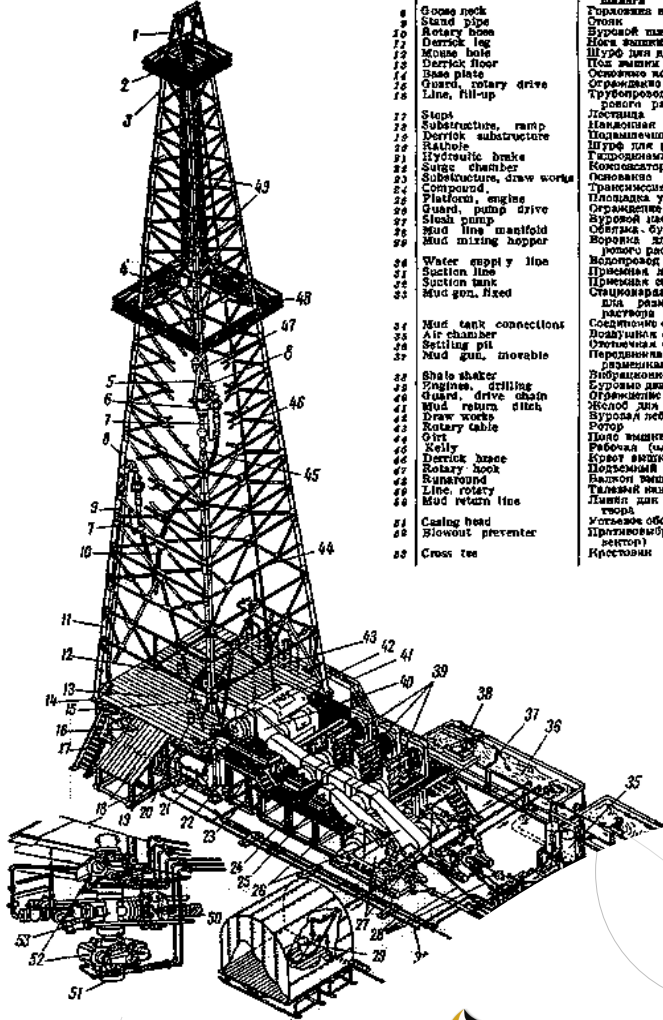
The company aims at developing products technical know how and providing other contract services.

The company is also active in the area of technology consultancy.



УСТАНОВКА СТАЦИОНАРНОГО БУРЕНИЯ

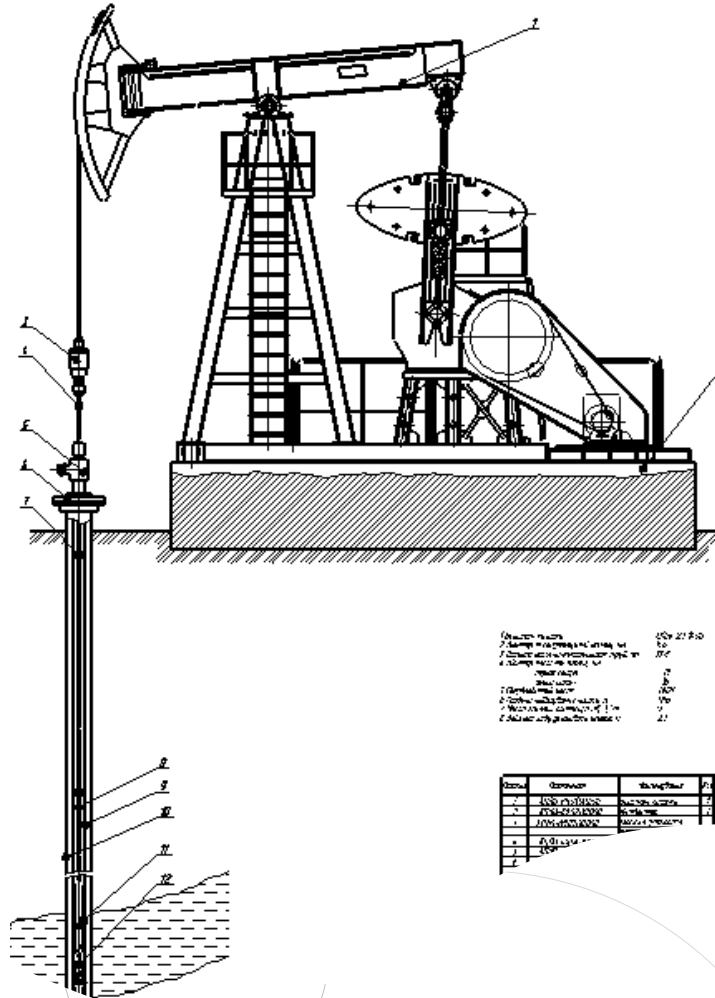
№ по каталогу	Название детали	
	англ.	русс.
1	Gin pole	Ковыль
2	Crown block	Коробочек
3	Derrick	Вышка
4	Travelling block	Талевый блок
5	Swivel hawl	Саража вертлюга
6	Swivel	Вертлюг
7	Rotary hose, safety chain	Предохранительная цепь бурового шланга
8	Goose neck	Горлозья вертлюга
9	Stand pipe	Огонь
10	Rotary hose	Вращающийся шланг
11	Derrick leg	Нога вышки
12	Moose hole	Шурф для двухтрубки
13	Derrick floor	Пол вышки
14	Base plate	Основание моста вышки
15	Guard, rotary drive	Средствоскоп или привод насоса
16	Line, hill-up	Трубопровод для вытаскивания бурового раствора в скважину
17	Steps	Лестница
18	Substructure, ramp	Наклонная площадка
19	Derrick substructure	Подвышечное основание
20	Galvanic	Щиток для рабочей трубы
21	Hydraulic brake	Гидродинамический тормоз
22	Surge chamber	Компенсатор
23	Substructure, draw works	Основание под буровую лебедку
24	Compound	Трансмиссия
25	Platform, engine	Площадка у двигателя
26	Guard, pump drive	Ограждение привода насосов
27	Slush pump	Буровой насос
28	Mud line manifold	Оборудование буровых насосов
29	Mud mixing hopper	Воронка для приготовления бурового раствора
30	Water supply line	Водопровод
31	Suction line	Примосная линия буровых насосов
32	Suction tank	Примосная емкость
33	Mud gun, fixed	Стационарная струйная игла для расширения бурового раствора
34	Mud tank connections	Соединение емкости
35	Air chamber	Воздушная емкость
36	Settling pit	Отстойная емкость
37	Mud gun, movable	Передвижная струйная игла для расширения бурового раствора
38	Shale shaker	Вибрационный сито
39	Slings, drilling	Буровые захваты
40	Guard, drive chain	Ограждение цепного привода
41	Mud return ditch	Желоб для бурового раствора
42	Draw works	Буровая лебедка
43	Rotary table	Ротор
44	Gin	Цепь вышки
45	Kelly	Рабочая (или воздушная) труба
46	Derrick base	Буровая вышка
47	Rotary hook	Подъемный крюк
48	Substructure	Вышечное основание
49	Line, rotary	Талевый шланг
50	Mud return line	Линия для выхода бурового раствора
51	Casing head	Устьевое оборудование
52	Blowout preventer	Противоударное устройство (превентор)
53	Cross tee	Крестовина



# ECOIL TECH PRODUCT LINE

ECOIL TECH REAGENTS ARE PRESENTED IN THE FOLLOWING AREAS:-

- ✓ DRILLING
- ✓ CEMENTING
- ✓ STIMULATION
- ✓ PRODUCTION
- ✓ ENHANCED OIL RECOVERY



# ECOIL TECH PRODUCT LINE

- |                         |                         |
|-------------------------|-------------------------|
| 1. GELLING AGENTS       | 13. BREAKER             |
| 2. FRICTION REDUCERS    | 14. GREEN SOLVENTS      |
| 3. BIOCIDES             | 15. BUFFER              |
| 4. DEMULSIFIERS         | 16. CORROSION INHIBITOR |
| 5. NON-EMULSIFIERS      | 17. FOAMER              |
| 6. FOAM CONTROL         | 18. DEFOAMER            |
| 7. CLAY / IRON CONTROL  | 19. FLOW IMPROVER       |
| 8. DISPERSANT           | 20. SCALE INHIBITOR     |
| 9. EMULSIFIER           | 21. SCAVENGERS          |
| 10. CEMENTING ADDITIVES | 22. HYDRATE INHIBITOR   |
| 11. FLUID-LOSS ADDITIVE | 23. VISCOSITY MODIFIERS |
| 12. CROSS-LINKER        | 24. IFT MODIFIERS       |

# SEPARATION AND TREATMENT OF LIQUIDS

## DEMULSIFIERS

### ECOIL TECH Neft.DEM SERIES

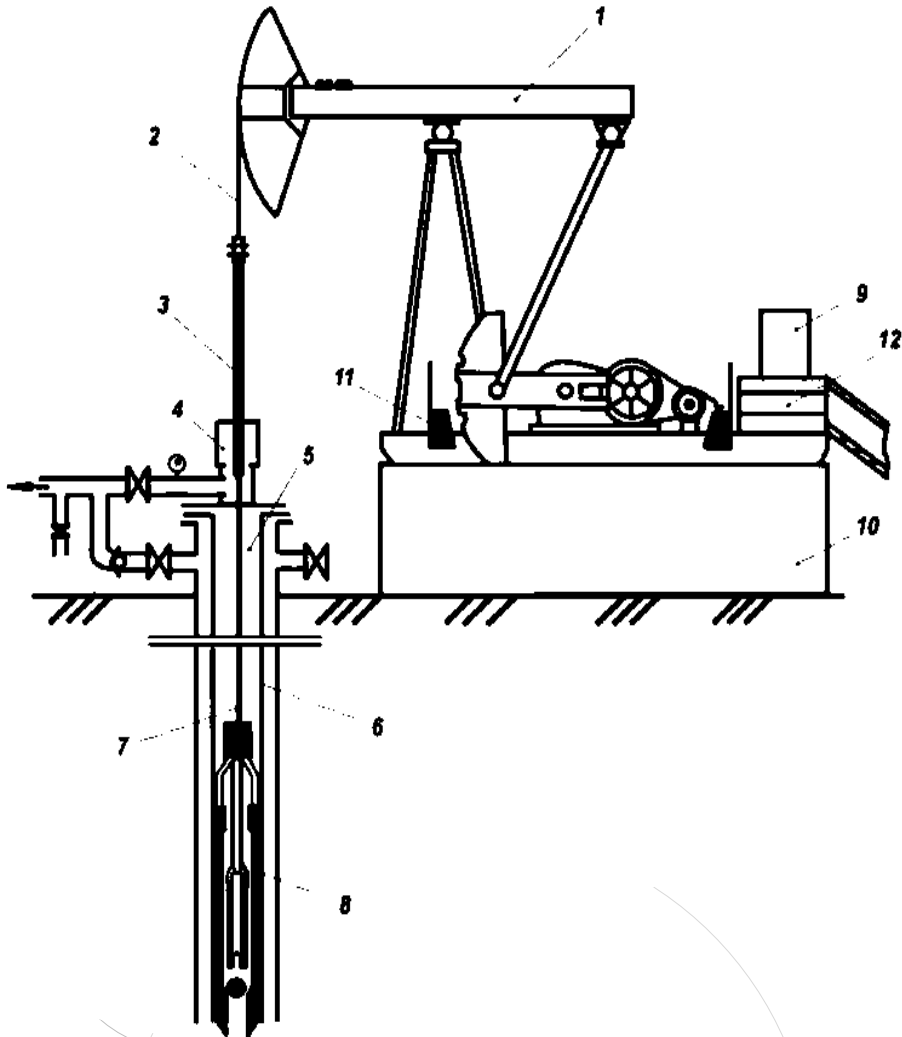
- DESTROYING WATER-OIL EMULSIONS
- DEHYDRATE AND DESALINATE OIL

## WATER TREATMENT

### ECOIL TECH Neft.WT

- SEPARATING OIL FROM WATER
- PURIFICATION OF PRODUCED WATER

## DEMULSIFIERS FOR "REVERSE" EMULSIONS



# OIL PUMPING AND STORAGE

## PARAFFIN CONTROL

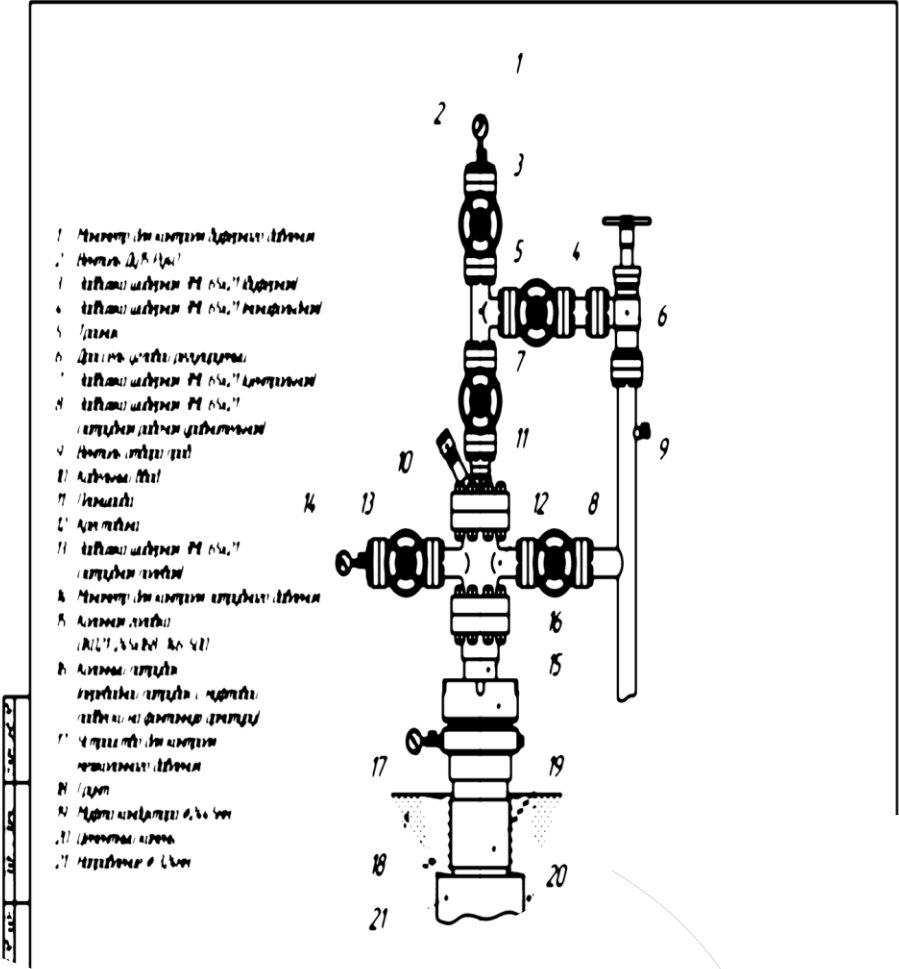
### ECOIL TECH Neft.PAO & Neft.PAW

- Paraffin inhibitors-prevention of paraffin deposits
- Dispersants-removal of paraffin deposits
- Depressors-decrease in the pour point of oil

## CONTROL OF ASPHALTENES

### ECOIL TECH Asf.PAO & Asf.PAW

- Solvent - removal of deposits
- Dispersants - removal and prevention of asphaltene deposits



# OIL TRANSPORTATION AND EQUIPMENT PROTECTION Part.1

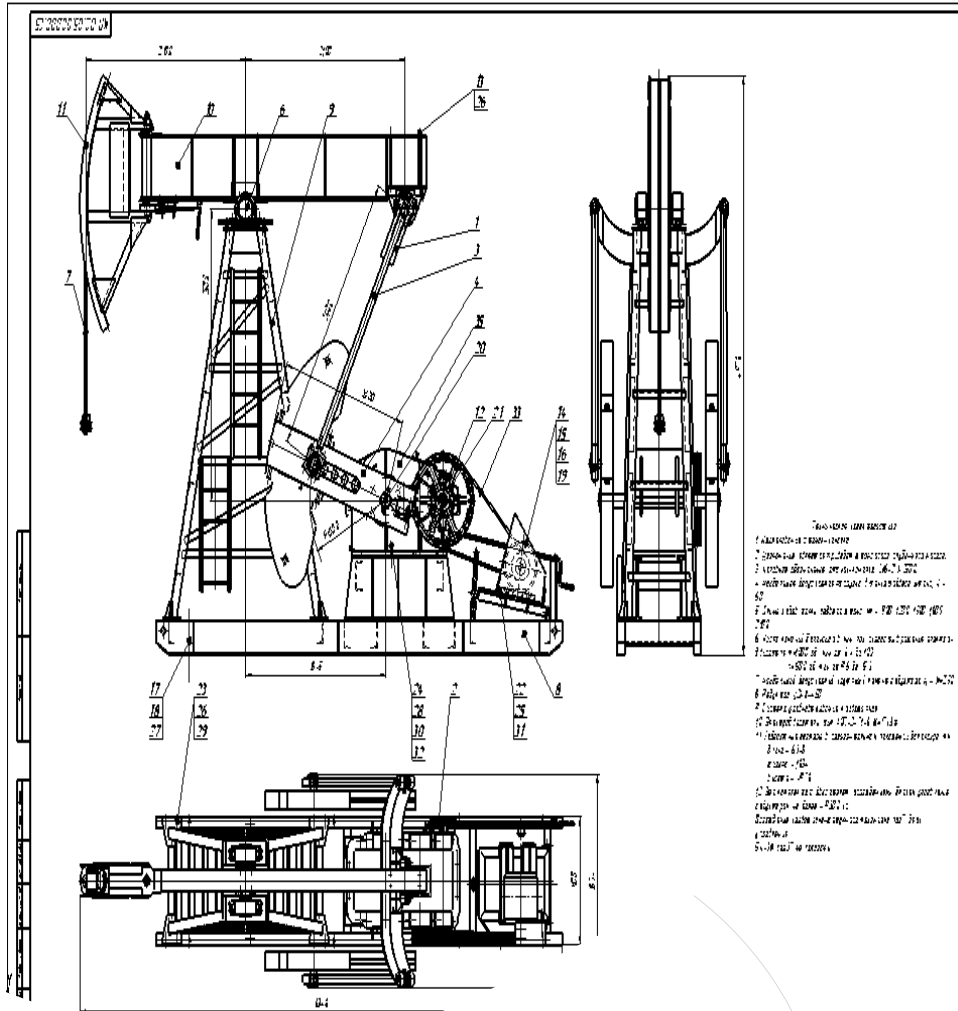
## SALT DEPOSITION INHIBITORS

### ECOIL TECH Pipe.SCW & Pipe.SCO

- Salt deposits treatment on the internal surfaces of pipelines and equipment

## SALT DEPOSITS SOLVENTS

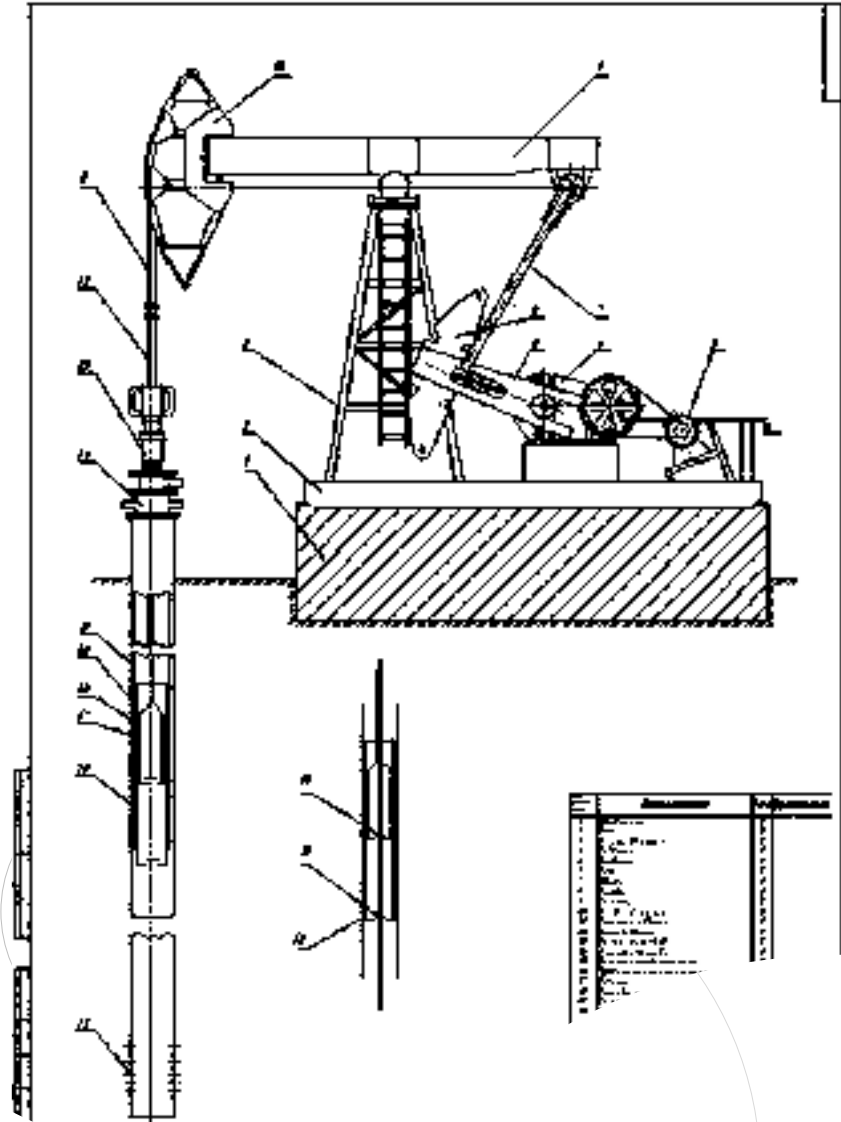
- Non-acidic solvents of carbonates
- Removal of barium sulfates



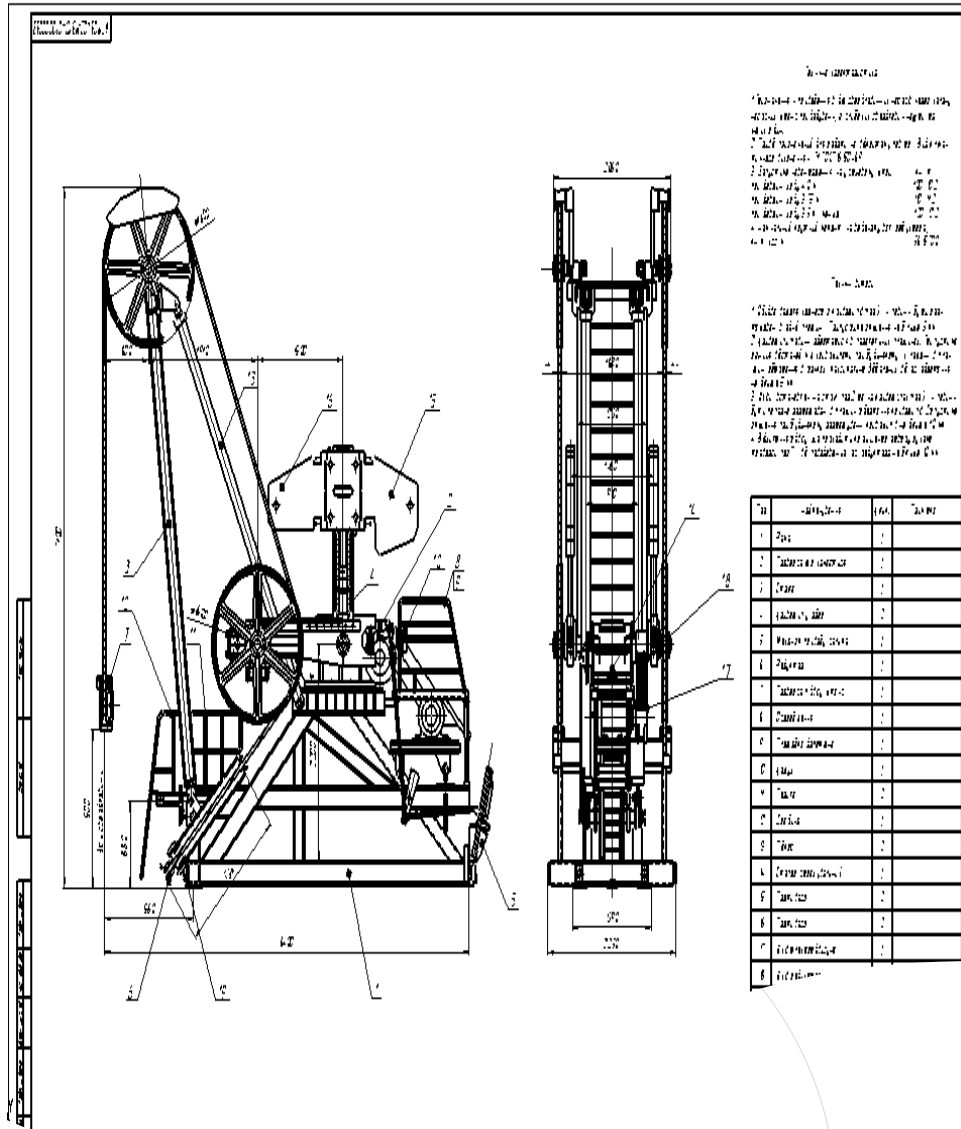
# OIL TRANSPORTATION AND EQUIPMENT PROTECTION Part.2

## CORROSION INHIBITORS

- ECOIL TECH Neft.CRW & Neft.CRO
- ECOIL TECH Neft.CGW & Neft.CGO
- Water - oil – soluble
- Inhibitors for gas systems
- Encapsulated solid corrosion inhibitors







# OIL TRANSPORTATION AND EQUIPMENT PROTECTION Part.2

## H2S/Thiols scavengers

ECOIL TECH THIOSCAV Fe17 series

- H2S and thiols control and treatment

## BACTERICIDES

ECOIL TECH Neft.XC

- Bacteria control
- Sulfide control

## OXYGEN ABSORBERS

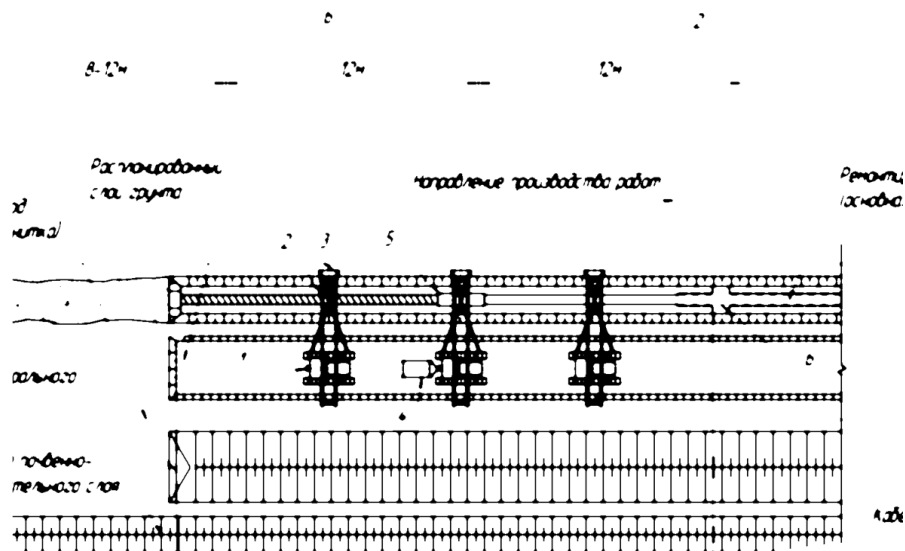
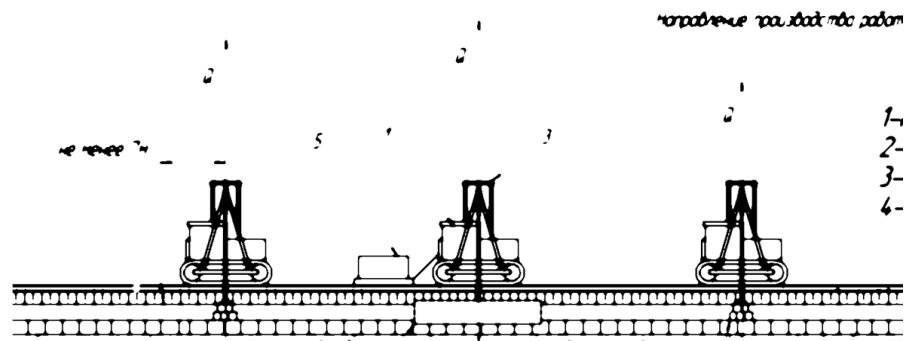
ECOIL TECH Neft.OSW

- Oxygen removal

# TRANSPORTATION

## ECOIL TECH Neft.FL – DRAG REDUCING AGENTS, ADDITIVES THAT REDUCE HYDRAULIC RESISTANCE IN PIPELINES

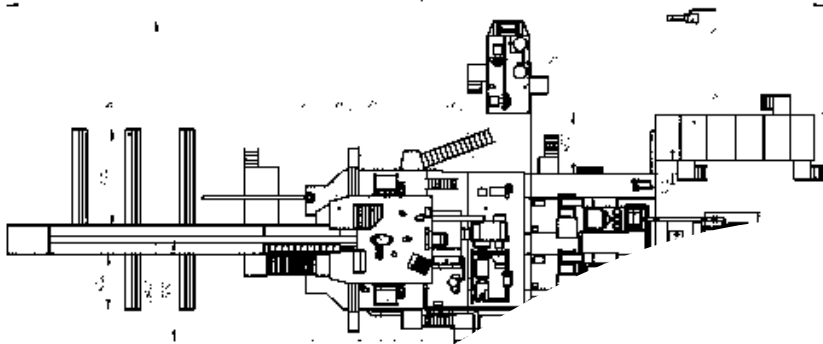
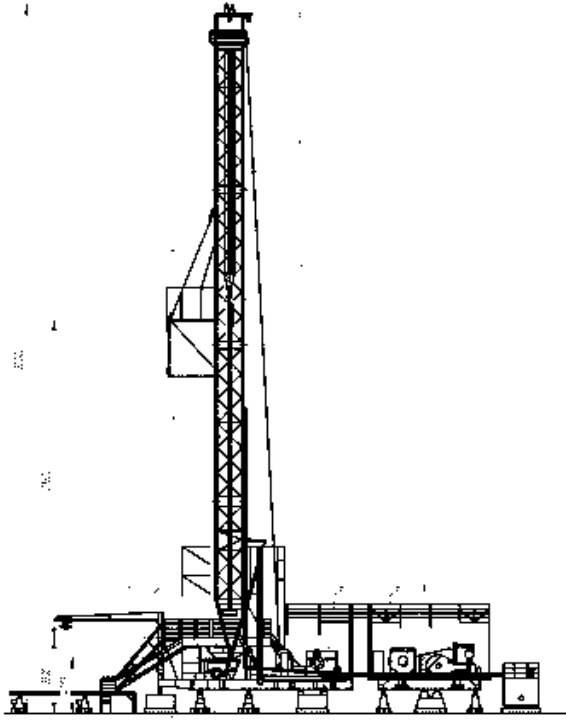
- By reducing pressure losses caused by friction between liquid layers in pipes, flow accelerators Ecoil Tech Neft.FL in pipelines can increase the pipeline throughput by more than 90% compared to the mechanical throughput.



система №1 — система №2 + 2-8м

система №1  
система №2 + 2-8м





# CONTACT US

---



[info@ecoil.tech](mailto:info@ecoil.tech)



[www.ecoil.tech](http://www.ecoil.tech)

